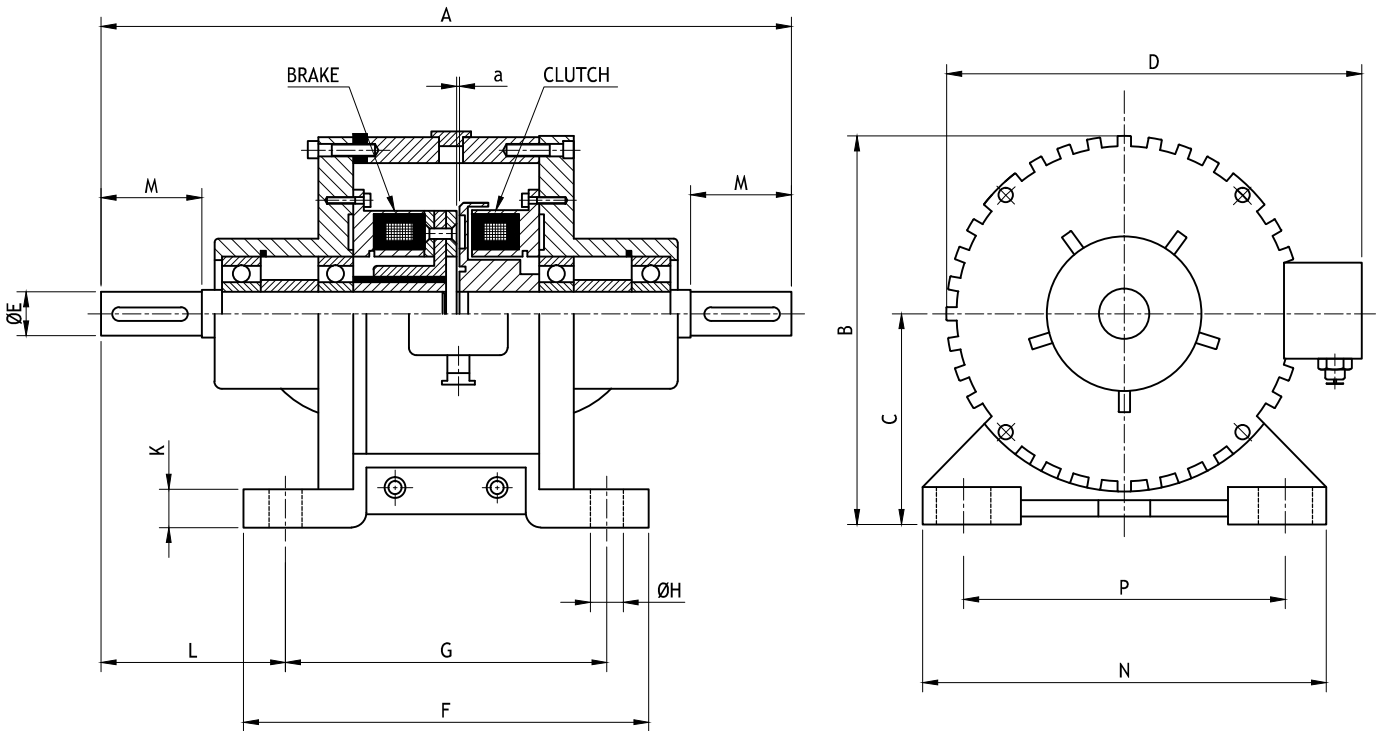


# ELECTRO MAGNETIC ENCLOSED TYPE CLUTCH - BRAKE COMBINATION (CBC)



MODEL :	P 63	P 80	P 100	P 125	P 160	P 200	P 250
TORQUE (NM)	7	14	28	55	110	225	450
MAX. SPEED (RPM)	7500	6500	5500	4500	3500	3000	2000
INPUT POWER (W) AT 20°C CLUTCH	16	21	28	36	51	68	85
BRAKE	12	16	20	26	36	45	70
A	175	209.5	272	319.5	383	410	428
B	123.5	141	177	200	258.5	306	371
C	63	71	90	100	132	160	200
D	145	164	198	223	275	331	385
Ø E	11	14	24	28	38	42	42
F	100	115	130	160	200	200	225
G	80	95	100	130	170	165	180
Ø H	7	7	10	12	12	18	18
K	12	12	15	15	15	20	25
L	55	58	87	99	110.5	122.5	124
M	23	30	50	60	80	80	80
N	110	130	170	185	220	280	325
P	90	105	140	150	180	230	270
a	0.2	0.2	0.2	0.3	0.3	0.5	0.5

ALL DIMENSIONS IN MM. ALTERNATIONS RESERVED.  
 STANDARD VOLTAGES: 24VDC, 96VDC, 190VDC.  
 1 Nm = 0.102 Kgm = 0.737 lb. ft.

## PETHE INDUSTRIAL MARKETING CO. PVT. LTD.



TRUSTED SINCE 1965

TITLE:

ELECTRO MAGNETIC ENCLOSED TYPE  
 CLUTCH - BRAKE COMBINATION (CBC)

69, S.K. BOLE ROAD, DAGDIWADI, DADAR (W)  
 MUMBAI - 400 028